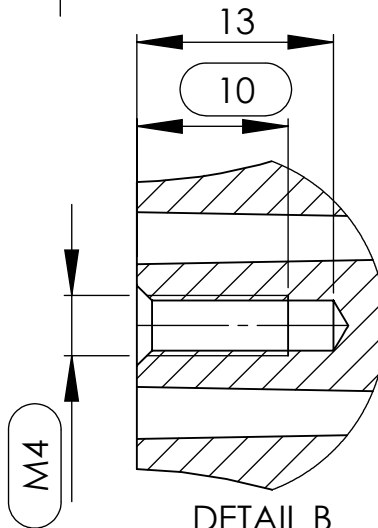
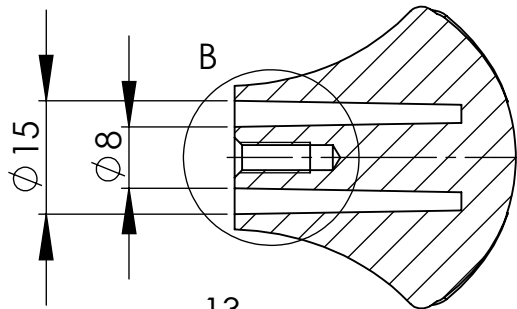
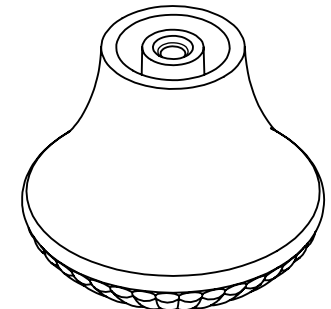
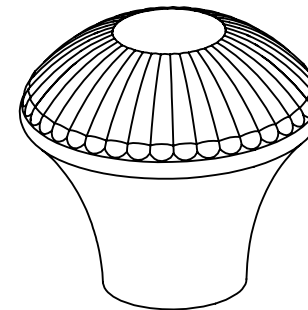
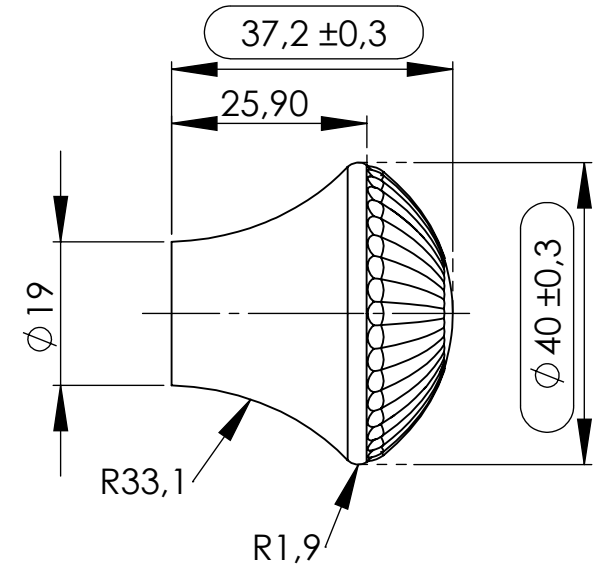


SECTION A-A



DETAIL B  
SCALE 2 : 1



Part name: <b>VOTE</b>		Projection: 	Sheet format: <b>A4</b>	Tolerance unless otherwise specified DS/ISO 2768-1M																				
Customer:		Drawn by: <b>ps date 18. marts 2013</b>	Scale: <b>1:1</b>	<table border="1"> <tr> <th>Linear dimensions:</th> <th>0-3</th> <th>3-6</th> <th>6-30</th> <th>30-120</th> <th>120-400</th> <th>400-1000</th> <th>1000-2000</th> </tr> <tr> <td></td> <td>± 0.1</td> <td>± 0.1</td> <td>± 0.2</td> <td>± 0.3</td> <td>± 0.5</td> <td>± 0.8</td> <td>± 1.2</td> </tr> </table>					Linear dimensions:	0-3	3-6	6-30	30-120	120-400	400-1000	1000-2000		± 0.1	± 0.1	± 0.2	± 0.3	± 0.5	± 0.8	± 1.2
Linear dimensions:	0-3	3-6	6-30	30-120	120-400	400-1000	1000-2000																	
	± 0.1	± 0.1	± 0.2	± 0.3	± 0.5	± 0.8	± 1.2																	
Part no.: <b>531360040</b>		Page 1 of 1		<table border="1"> <tr> <th>Angle</th> <th>Radius</th> <td></td> <td></td> <td></td> <td></td> <td></td> </tr> <tr> <td>± 0.5°</td> <td>± 5%</td> <td></td> <td></td> <td></td> <td></td> <td></td> </tr> </table>					Angle	Radius						± 0.5°	± 5%							
Angle	Radius																							
± 0.5°	± 5%																							
Material: <b>Zinc</b>		Weight: <b>134,33 grams</b>																						
Rev.:	Date:	Name:	Description:																					
				Delta 2 Phone: +45 87 64 35 00 DK-8382 Hinnerup Fax: +45 87 64 35 01																				